

TECHNICAL INFORMATION MANUAL

Revision 2 – 21 May 2021

R4320C

Hadron

High Performance 4-port Embedded RAIN RFID Reader



Visit the [Hadron R4320C web page](#), you will find the latest revision of data sheets, manuals, certifications, technical drawings, software and firmware. All you need to start using your reader in a few clicks!

Scope of Manual

The goal of this manual is to provide the basic information to work with Hadron R4320C Reader.

This manual refers to:

- R4320C Hadron Firmware \geq 1.6.0.
- [SDK \(Software Development Kit\)](#) revision \geq 4.7.0

Change Document Record

Date	Revision	Changes	Pages
23 Oct 2018	0	Preliminary Release	-
19 Jul 2019	1	Added download link for <i>Hadron R4320C Technical drawing</i> in the <i>External Connections</i> paragraph	11
		Added new photo in the <i>Development Kit</i> paragraph	8
		Added <i>FCC Compliance, Hadron R4320C FCC Grant part B and Hadron R4320C FCC Grant part C</i> in the <i>Regulatory Compliance</i> chapter	29÷32
		Added <i>CE Compliance and Hadron R4320C CE Declaration of Conformity</i> in the <i>Regulatory Compliance</i> chapter	29÷31
21 May 2021	2	Graphic Restyling	All pages
		Modified <i>Development Kit</i> paragraph	8
		Modified <i>Ordering Options</i> table	9
		Modified <i>Fig. 1.3: Hadron R4320CEVB Evaluation Board</i>	7
		Modified <i>Hadron R4320CEVB</i> chapter	19÷28
		Modified <i>Firmware Upgrade</i> paragraph	16
		Added <i>CE Compliance and Hadron R4320C CE Declaration of Conformity</i> in the <i>Regulatory Compliance</i> chapter	29÷31
Modified <i>RoHS EU Directive</i> paragraph	30		

Reference Document

[RD1] EPCglobal: EPC Radio-Frequency Identity Protocols Class-1 Generation-2 UHF RFID Protocol for Communications at 860 MHz – 960 MHz, Version 2.0.1 (April, 2015).

CAEN RFID srl

Via Vetraia, 11 55049 Viareggio (LU) - ITALY
Tel. +39.0584.388.398 Fax +39.0584.388.959

info@caenrfid.com

www.caenrfid.com

© CAEN RFID srl – 2021

Disclaimer

No part of this manual may be reproduced in any form or by any means, electronic, mechanical, recording, or otherwise, without the prior written permission of CAEN RFID.

The information contained herein has been carefully checked and is believed to be accurate; however, no responsibility is assumed for inaccuracies. CAEN RFID reserves the right to modify its products specifications without giving any notice; for up to date information please visit www.caenrfid.com.

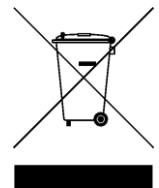
Federal Communications Commission (FCC) Notice

This device was tested and found to comply with the limits set forth in Part 15 of the FCC Rules. Operation is subject to the following conditions: (1) this device may not cause harmful interference, and (2) this device must accept any interference received including interference that may cause undesired operation. These limits are designed to provide reasonable protection against harmful interference when the equipment is operated in a commercial environment.

This device generates, uses, and can radiate radio frequency energy. If not installed and used in accordance with the instruction manual, the product may cause harmful interference to radio communications. Operation of this product in a residential area is likely to cause harmful interference, in which case, the user is required to correct the interference at their own expense. The authority to operate this product is conditioned by the requirements that no modifications be made to the equipment unless the changes or modifications are expressly approved by CAEN RFID.

Disposal of the product

Do not dispose the product in municipal or household waste. Please check your local regulations for disposal/recycle of electronic products.



Index

	Scope of Manual	2
	Change Document Record	2
	Reference Document	2
1	Introduction	6
	Description	6
	Development Kit	8
	Ordering Options	9
2	Hadron R4320C	10
	Technical Specifications Table	10
	External Connections	11
	Connector pinout	11
	Power supply and interface connector electrical characteristics	12
	Power supply connection	13
	General purpose I/O connections	13
	Shutdown pin	14
	Communication interface selection	14
	UART connection	14
	FW Recovery/Upgrade	15
	Antenna port specifications	16
	Reader - Tag Link Profiles	16
	Firmware Upgrade	16
3	Hadron R4320CEVB	19
	Technical Specifications Table	19
	Connection Diagram	19
	Installation Notice	20
	Connecting to the Hadron R4320C reader	22
	USB Communication Setup	22
	Easy Controller	23
	Technical Drawings	25
	Electrical Schematic	26
	External Connections	27
	Jumpers and Switches	27
	LEDs	28
	Firmware Upgrade	28
4	Regulatory Compliance	29
	CE Compliance	29
	FCC Compliance	29
	RoHS EU Directive	30
	Hadron R4320C CE Declaration of Conformity	31
	Hadron R4320C FCC Grant part B	32
	Hadron R4320C FCC Grant part C	33

List of Figures

Fig. 1.1: Hadron reader (Model R4320C): top view	6
Fig. 1.2: Hadron reader (Model R4320C): bottom view	6
Fig. 1.3: Hadron R4320CEVB Evaluation Board	7
Fig. 1.4: R4320CXDK: Accessories kit with adapter, antennas, cable and demo tags	8
Fig. 2.1: Hadron R4320C Technical Drawings	11
Fig. 2.2: Hadron R4320C Power Supply Connection	13
Fig. 2.3: Hadron R4320C GPIO Connection Example	13
Fig. 2.4: Hadron R4320C SHUTDOWN pin connection	14
Fig. 2.5: Hadron R4320C RS232 Connection	15
Fig. 2.6: Hadron R4320C ERASE Pin Connection	15
Fig. 3.1: Hadron R4320CEVB Evaluation Board Connection Diagram	19
Fig. 3.2: Hadron R4320CEVB Evaluation Board Interface Connectors	20
Fig. 3.3: Connection of the R4320C module to the R4320CEVB evaluation board	21
Fig. 3.4: Hadron R4320CEVB Technical Drawing	25
Fig. 3.5: Hadron R4320CEVB Electrical Schematic	26
Fig. 3.6: SW2 configuration	27
Fig. 3.7: SW3 configuration	28

List of Tables

Tab. 2.1: Hadron R4320C Technical Specifications	10
Tab. 2.2: Hadron R4320C Supply and Interface Connector Pinout	11
Tab. 2.3: Hadron R4320C Supply and Interface Connector Electrical Characteristics	12
Tab. 2.4: RF Port Pinout	16
Tab. 2.5: RF Port Electrical Characteristics	16
Tab. 2.6: Hadron R4320C Reader to Tag Link Profiles	16
Tab. 3.1: Hadron R4320CEVB Technical Specifications	19

1 INTRODUCTION

Description

The Hadron (Model R4320C), embedded module of the easy2read® product line, is a RAIN RFID multiregional compact reader for high performances applications. With programmable output power from 10dBm to 31.5dBm, the reader reaches top reading performances being able to detect RAIN tags from a distance of 9 m (30 feet) depending on the antenna and the tag used.

The radio frequency core of the module allows to achieve fast reading/writing operations and to work in dense reader and dense tag environments for top-class rated performances.

Due to its compact form factor, the module is specifically designed to be easily embedded in battery powered devices such as high performances handhelds and sleds. Thanks to the 4-antenna ports and the high power capability, the Hadron module is the perfect RAIN RFID core component to design full size readers for portals, industrial automation readers or any RFID device requiring long reading distances.



Fig. 1.1: Hadron reader (Model R4320C): top view

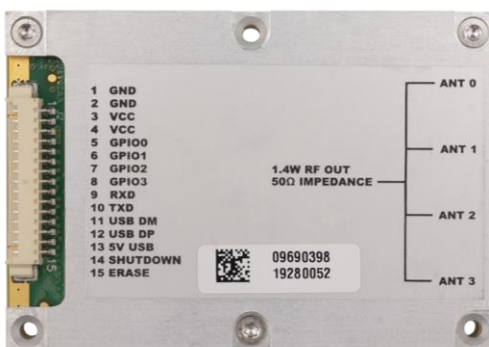


Fig. 1.2: Hadron reader (Model R4320C): bottom view

The [Mod. R4320CEVB - R4320C Hadron Evaluation Board](#) allows managing the Hadron R4320C reader directly via USB and UART (via USB converter) interfaces. This board is particularly suited for Hadron R4320C reader evaluation and SW development purpose.
For more information, please refer to § *Hadron R4320CEVB* chapter page 19

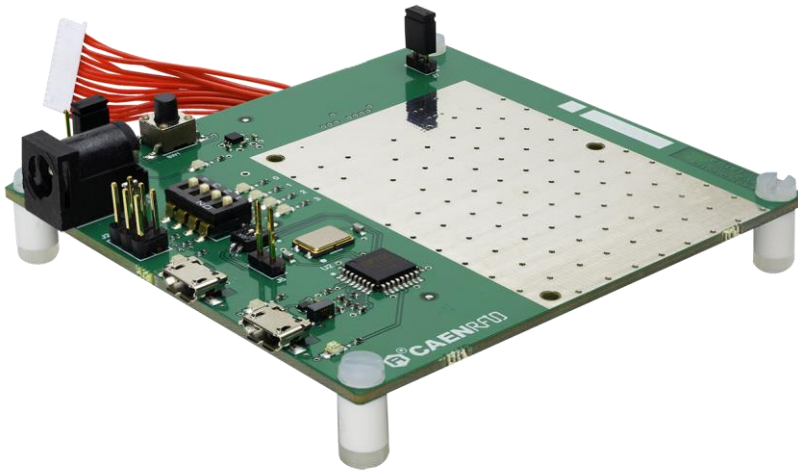


Fig. 1.3: Hadron R4320CEVB Evaluation Board

Development Kit

A development kit with adapter, antennas, cable and demo tags is available:



Fig. 1.4: R4320CXDK: Accessories kit with adapter, antennas, cable and demo tags

The kit includes:

- n. 1 [WR4320CXVBX R4320C - Hadron - Evaluation Board](#)
- n.1 Circular Polarized Quadrifilar Antenna MMCX ([ETSI](#) or [FCC](#))
- n. 1 [Set of Labels](#)
- n. 1 [A927Z Temperature Logger Tag](#)
- n. 1 [RT0005 Temperature Logger Tag](#)
- n. 1 WALIM0000005 Power Supply for Hadron R4320C Adapter Board
- n. 1 USB cable

The R4320C Hadron reader and its development kit are a complete set up for a quick implementation of RFID solutions.

Ordering Options

	Code	Description
Reader	WR4320XAAAA	R4320C - Hadron - High Performance 4-port Embedded UHF RFID Reader
Development kit	WR4320XDKEU	Hadron - ETSI Dev Kit with antenna, interface, power supply and tags (reader not included)
	WR4320XDKUS	Hadron - FCC Dev Kit with antenna, interface, power supply and tags (reader not included)
Accessories	WR4320XEVBX	R4320C - Hadron - Evaluation Board
	WANT020XMMCX	ANT020/MMCX - Quad - Circular polarized quadrifilar antenna (ETSI) - MMCX
	WANT021XMMCX	ANT021/MMCX - Quad - Circular polarized quadrifilar antenna (FCC) - MMCX
	WALIM0000005	Power Supply for Hadron R4320C Adapter Board

2 HADRON R4320C

Technical Specifications Table

Frequency Range	– 865.600÷867.600 MHz (ETSI EN 302 208 v3.1.1) – 902÷928 MHz (FCC part 15.247)
RF Power	Programmable from 10dBm to 31.5dBm (30dBm for FCC)
Output Power Accuracy	+/- 1dB ¹
Antenna VSWR Requirement	< 2:1 for optimum performances
Antenna Connectors	Nr. 4 MMCX jacks
Frequency Tolerance	±10ppm over the entire temperature range
Number of Channels	– 4 channels (compliant to ETSI EN 302 208 v3.1.1) – 50 hopping channels (compliant to FCC part 15.247)
Standard Compliance	EPC C1G2 / ISO18000-63
Digital I/O	4 I/O lines 3.3V out @ 3mA; 5V tolerant
Forward Link Characteristics	PR-ASK 40kBit/s; DSB-ASK 160kBit/s (FCC only)
Return Link Characteristics	– Miller encoding (M=4; LF=250kHz) – Miller encoding (M=4; LF=300kHz) – FM0 400kbit/s (FCC only)
Connectivity	USB interface One USB 2.0 Full Speed (12 Mbit/s) device port UART Serial Port – Baudrate: up to 115200 – Databits: 8 – Stopbits:1 – Parity: none – Flow control: none – 3.3 V I/O voltage level
Dimensions	(L) 60 x (W) 42 x (H) 7,5 mm ³
Power Consumption (max)	8.5W peak (TX/RX mode)
DC Power	3,5 VDC ÷ 5.5 VDC
Operating Temperature	-20°C to +60°C
Weight	35 g

Tab. 2.1: Hadron R4320C Technical Specifications



Warning: The RF settings must match the country/region of operating to comply with local laws and regulations.

The usage of the reader in different countries/regions from the one in which the device has been sold is not allowed.

¹ For output power less than 14dBm the accuracy may exceed the specification

External Connections

The location of the connectors is shown in Fig. 2.1: Hadron R4320C Technical Drawings page 11. Their part numbers are listed here below:

Antenna Ports: RF Coax Connector Huber+Suhner type 82_MMCX-S50-0-2/111_K (to be used with Huber+Suhner type 11_MMCX-50-1-1/111_O)

MOLEX Connector: PCB Header Molex type 53261-1571 (to be used with Molex Type 51021-1500 + 15pcs crimp terminal type 50058-8100)

Download the *Hadron R4320C Technical drawing* at [Hadron R4320C web page](#) (Documents section).

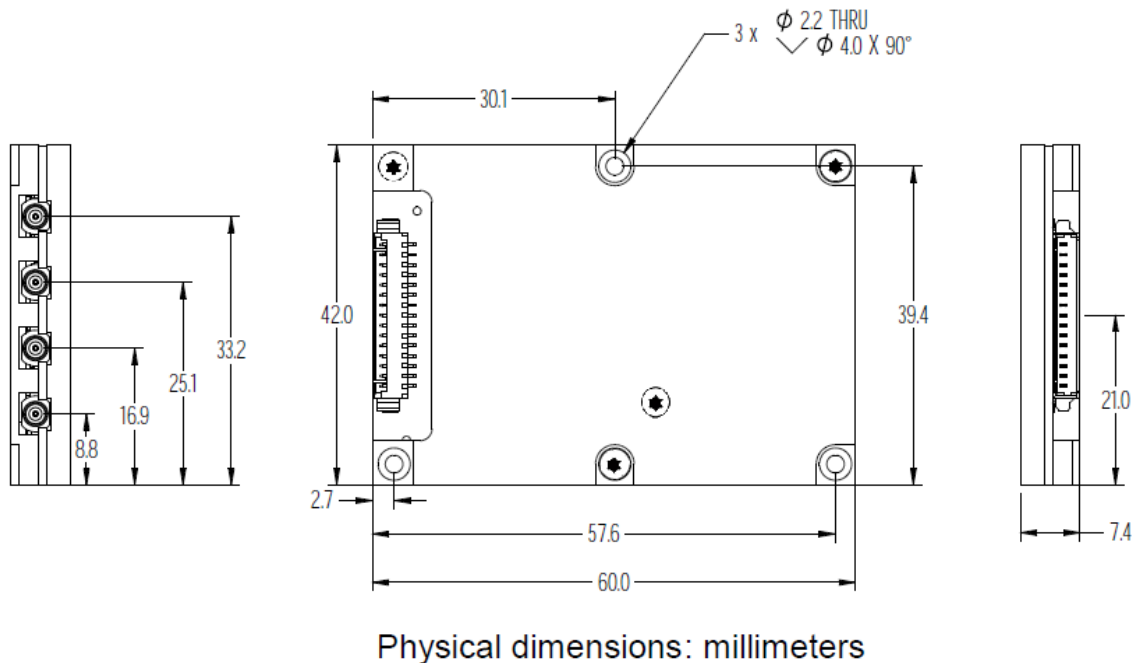


Fig. 2.1: Hadron R4320C Technical Drawings

Connector pinout

In the following table the Hadron R4320C power supply and the interface connector pinout are reported.

Pin #	Name	Direction	Function
1	GND	-	Ground
2	GND	-	Ground
3	VCC	-	Supply voltage
4	VCC	-	Supply voltage
5	GPIO0	IN/OUT	General purpose I/O #0
6	GPIO1	IN/OUT	General purpose I/O #1
7	GPIO2	IN/OUT	General purpose I/O #2
8	GPIO3	IN/OUT	General purpose I/O #3
9	RXD	IN	UART RX (input to the module)
10	TXD	OUT	UART TX (output from the module)
11	USB DM	IN/OUT	USB DM signal
12	USB DP	IN/OUT	USB DP signal
13	5V USB	IN	USB supply voltage input
14	SHUTDOWN	IN	Shutdown of the module
15	ERASE	IN	FW recovery/upgrade enabling

Tab. 2.2: Hadron R4320C Supply and Interface Connector Pinout

The GPIO0-GPIO3 pins are 4 general purpose bidirectional pins, their default direction is IN.

The RXD/TXD pins are used to communicate with the R4320C board via UART port; to establish a link with the device you must configure your COM port as follows²:

Baud rate: 115200

Parity: None

Data bits: 8

Stop bits: 1

Flow Control: none

5V USB signal is used to sense the presence of an USB host device connected to the module and not for supply the device. This pin shall be left unconnected for UART operation.

Powering on the module with ERASE pin tied at high level for more than 220ms enables the internal microcontroller FW recovery/upgrade procedure.

When SHUTDOWN pin is at high level the internal circuitry of the module is powered off and the current consumption is reduced down to less than 1mA.

Power supply and interface connector electrical characteristics³

Pin name	Pin No.	Parameter	Min	Typ	Max	Unit
VCC	3,4	Supply DC voltage	3.5	4.25	5.5	V
		Supply DC current	0.25		2.4	A
GPIO[0:3]	5, 6, 7, 8	VOL	0		0.4	V
		VOH	2.0		3.3	V
		Output current			3.0	mA
		VIL	-0.3		0.8	V
		VIH	2.0		5.5	V
RXD	9	Input current			1	μA
		VIL	-0.3		0.8	V
		VIH	2.0		5.5	V
TXD	10	Input current			1	μA
		VOL	0		0.4	V
		VOH	2.4		3.3	V
USB DM	11	Output current			1.5	mA
		VIL			0.8	V
		VIH	2			V
		VOL	0		0.3	V
USB DP	12	VOH	2.8		3.3	V
		VIL			0.8	V
		VIH	2			V
		VOL	0		0.3	V
5V USB	13	VOH	2.8		3.3	V
		VIL	-0.3		0.8	V
		VIH	2		5.5	V
SHUTDOWN	14	Input current			1	μA
		VIL	0		0.8	V
		VIH	2		5.5	V
ERASE	15	Input current			40	μA
		VIL	0		0.8	V
		VIH	2		5.5	V
GND	1,2	Input current			6	mA

Tab. 2.3: Hadron R4320C Supply and Interface Connector Electrical Characteristics

² Since R4320C RX/TX are TTL level signals, in order to connect it with a PC, a TTL/RS232 translator shall be used.

³ Exceeding maximum values reported in the table may cause permanent damage to the model.

Power supply connection

In the following schematic suggested R4320C power supply connection is shown.

The use of a resettable fuse (F1) is recommended since R4320C does not provide internal current limitation protection.

Diode D1 avoid damage to the reader in case of reverse polarity connection.

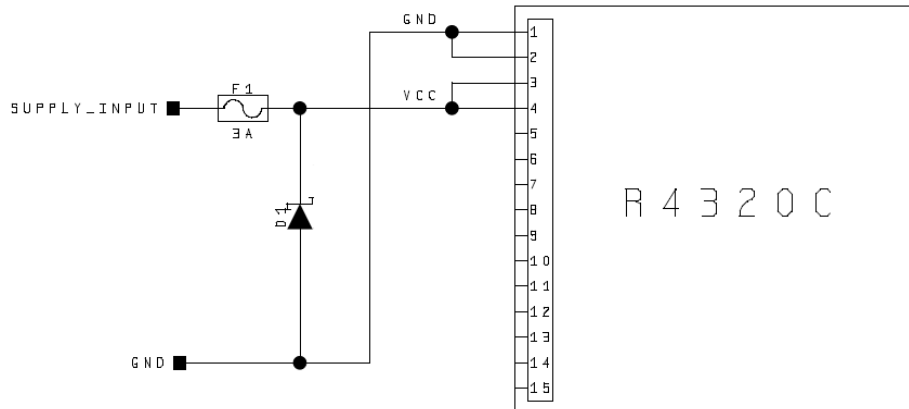


Fig. 2.2: Hadron R4320C Power Supply Connection

General purpose I/O connections

The GPIO0-GPIO3 pins are 4 general-purpose bidirectional pins. Their default direction after a power on reset or a general reset is set to input.

GPIO, when configured as Outputs, can be used to drive indicators as LEDs or buzzers or to send trigger signal to others equipment.

GPIO, when configured as Inputs, can accept control signals from other equipment or trigger signals from sensors (i.e. photocells).

In the following schematic an example of application of GPIO is shown.

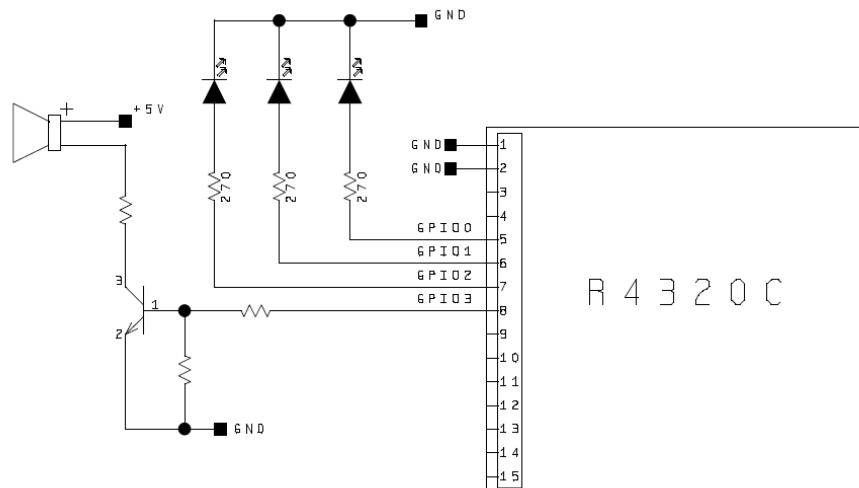


Fig. 2.3: Hadron R4320C GPIO Connection Example

Shutdown pin

R4320C SHUTDOWN pin allows to set the module in power off mode (current consumption less than 1mA) and can be used also for manual reset operation.

SHUTDOWN pin is pulled-down by an internal resistor.

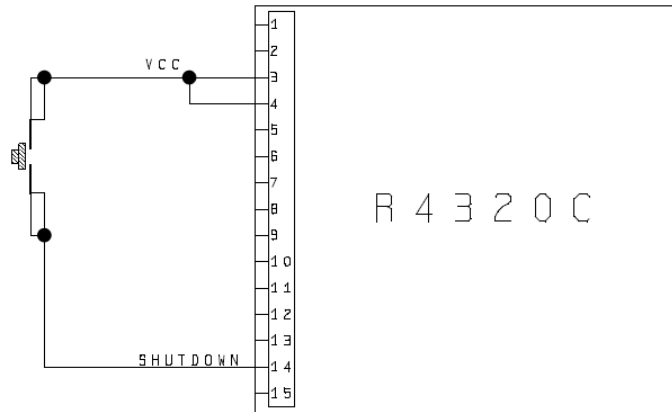


Fig. 2.4: Hadron R4320C SHUTDOWN pin connection

Communication interface selection

The communication with Hadron R4320C module can be performed via UART or USB interface.

If at power up an USB host is already connected to the module the USB interface is selected otherwise if USB pins are not connected the UART interface is selected.

UART connection

The RXD/TXD pins are used to communicate with the R4320C module via UART port. Since R4320C RX/TX are TTL level signals, in order to connect it with a PC, a TTL/RS232 translator shall be used (please refer to the diagram below)⁴.

To establish a link with the device host COM port shall be configured as follows:

Baud rate: 115200
Parity: None
Data bits: 8
Stop bits: 1
Flow Control: none

⁴ R4320C service board (R4320CEVB) hosts both UART (via USB converter) and USB full interfaces.

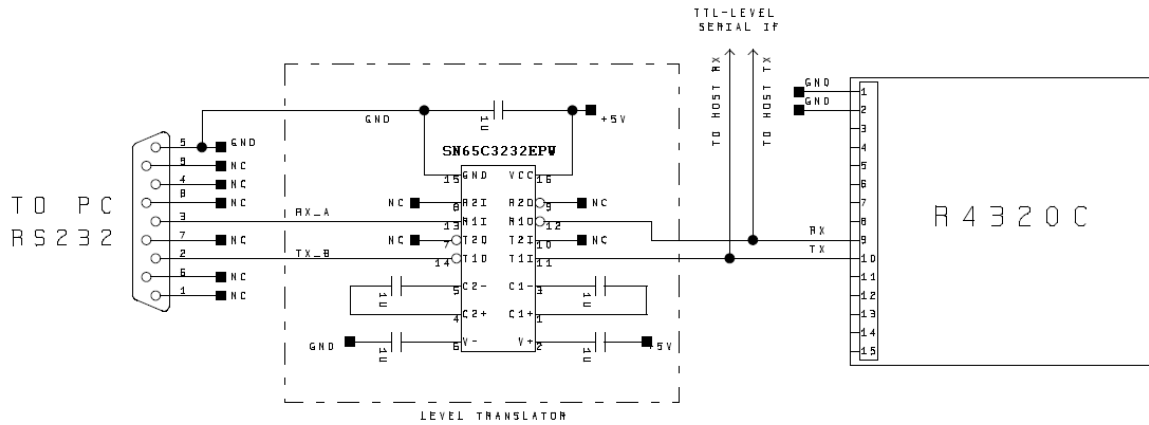


Fig. 2.5: Hadron R4320C RS232 Connection

FW Recovery/Upgrade

ERASE pin is reserved and shall be used only to perform the microcontroller FW recovery/upgrade procedure during which it must be forced at high level (3.3V or 5V).

In the following diagram a manual recovery mechanism is shown: in order to perform the R4320C boot recovery the jumper JP shall be inserted, then R4320C module shall be switched on for 5s at least. After that the reader shall be switched off and the jumper removed: at the next switch on the reader will execute the boot recovery program.

For further details please see § *Firmware Upgrade* page 16.

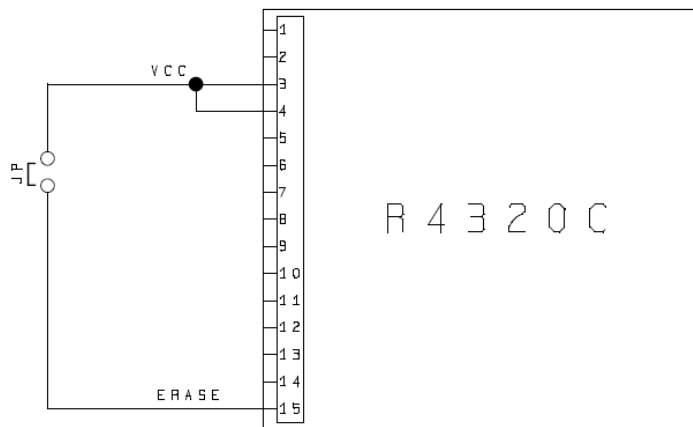


Fig. 2.6: Hadron R4320C ERASE Pin Connection

Antenna port specifications

In the following table the pinout of R4320C antenna ports is shown.

Pin #	Function	Direction	Description
INNER	RF OUT	OUT	RF output
OUTER	GND	-	Ground

Tab. 2.4: RF Port Pinout

Parameter	Min	Typ.	Max	Unit
RF output power (nominal)	10		1400	mW
	10		31.5	dBm
Output power vs. power setting accuracy			± 1	dB ⁵
RF port impedance		50		Ω
Recommended antenna VSWR			2:1	-

Tab. 2.5: RF Port Electrical Characteristics

Reader - Tag Link Profiles

R4320C reader supports different modulation and return link profiles according to EPC Class1 Gen2 protocol [RD1].

In the following table are reported all profiles that have been tested for the compliance with ETSI and FCC regulations.

Link profile #	Regulation	Modulation	Return Link
1	FCC	PR-ASK; f=40kHz	Miller (M=4); f = 250kHz
2	ETSI	PR-ASK; f=40kHz	Miller (M=4); f = 300kHz
3	FCC	DSB-ASK; f=160kHz	FM0; f = 400kHz

Tab. 2.6: Hadron R4320C Reader to Tag Link Profiles

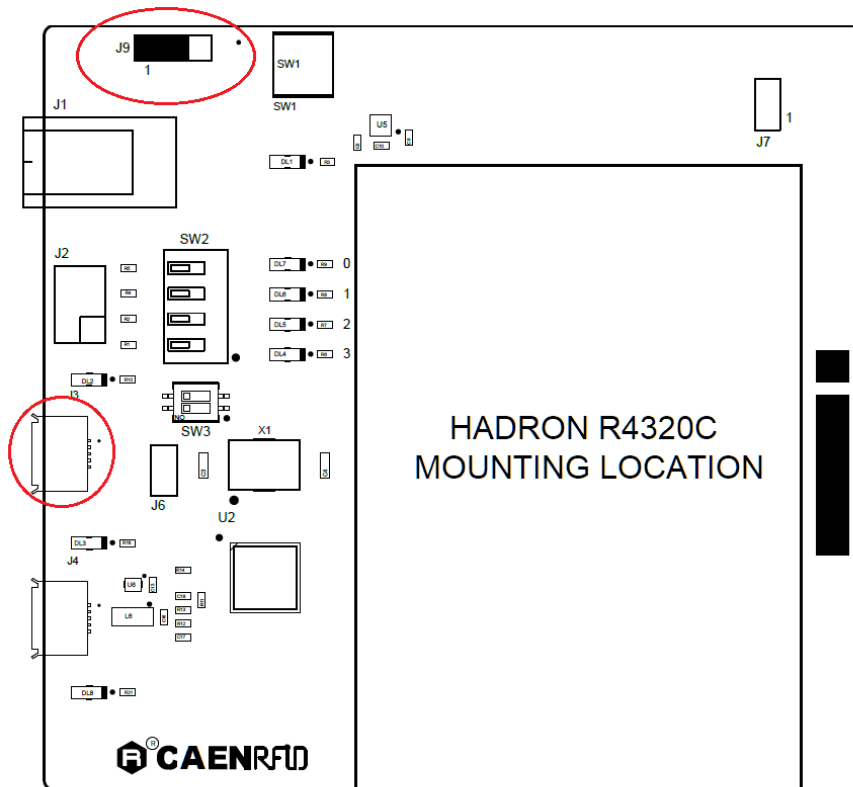
Firmware Upgrade

R4320C reader firmware upgrade can be performed via USB or UART interface.

In the following procedure it is assumed to use the R4320CEVB adapter board, a PC as host and use the native USB of the module.

- 1) With the board powered off insert the jumper J9 in the position shown below.

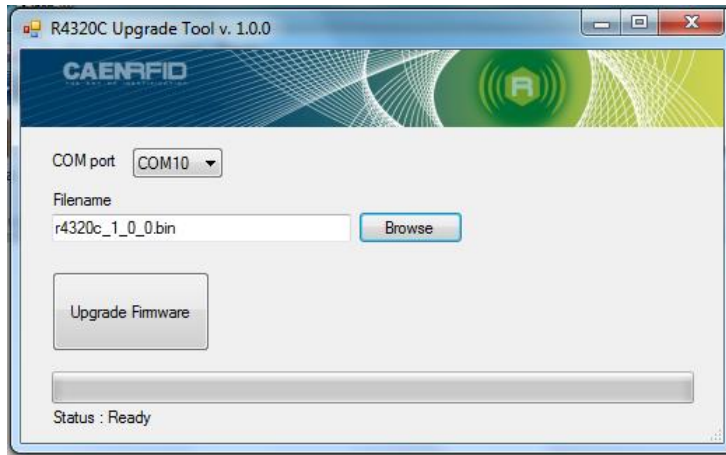
⁵ For output power less than 14dBm the accuracy may exceed the specification



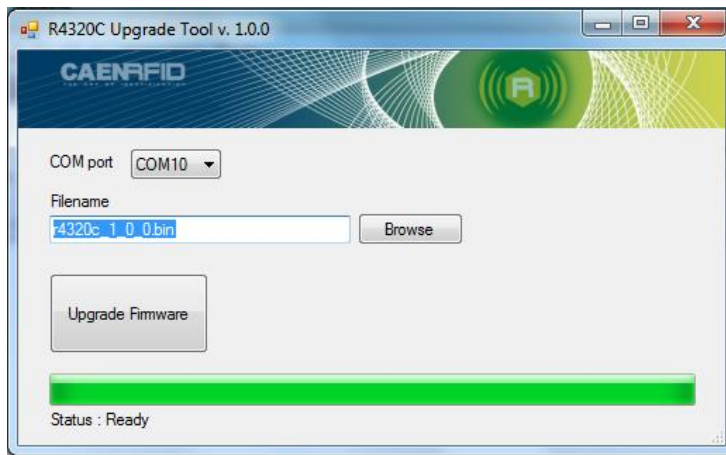
- 2) Power on the board via power jack J1 for at least 5s.
- 3) Remove the power supply.
- 4) Place the jumper J9 in the original position.
- 5) Connect the USB cable to the J3 connector on the board.
- 6) Power on the board via power jack J1.
- 7) Launch the R4320C Upgrade Tool and click on *Next* button.



- 8) Select the COM port related to the device (Bossa Program Port assigned by OS)
- 9) Select the R4320C FW image file.
- 10) Click on *Upgrade Firmware* button.



11) Wait for the progress bar to be full.



12) Switch off the module; at the next power on the device will be operating with the new FW image.

3 HADRON R4320CEVB

Technical Specifications Table

Digital I/O	Four I/O lines 3.3 V out @ 3mA, 5 V tolerant
Native USB Port	USB micro female connector USB 2.0 device It appears as R4320C Virtual COM Port device; drivers for all Windows OS
UART via USB Port	USB micro female connector Baudrate: 115200 Databits: 8 Stopbits: 1 Parity: none Flow control: none 9.6÷115 kbit/s data rate (settable) It appears as USB serial port; drivers for all Windows OS
LED display	GREEN: power from AC/DC adapter GREEN: USB connection YELLOW: UART to USB interface activity GREEN: GPIO[0..3]
Dimensions	(W)81 x (L)76 x (H)28 mm ³ (3.2 x 3.0 x 1.1 inch ³)
Electrical Power	DC Voltage 5V +/-5% Current consumption: 2A max.
Operating Temperature	-20 °C to +60 °C

Tab. 3.1: Hadron R4320CEVB Technical Specifications

Connection Diagram

The following block diagram shows how to connect the Hadron R4320C with the PC host via the Hadron R4320CEVB service board.

As reported above, R4320C module has an USB interface and an UART interface.

In the evaluation board UART interface is accessible via an FTDI UART to USB converter.

The board equipped with R4320C reader shall be powered by an external 5V 2A min. DC adapter. The use of the Power Supply for Hadron R4320CEVB (WALIM0000005) is recommended (see § *Ordering Options* page 9).

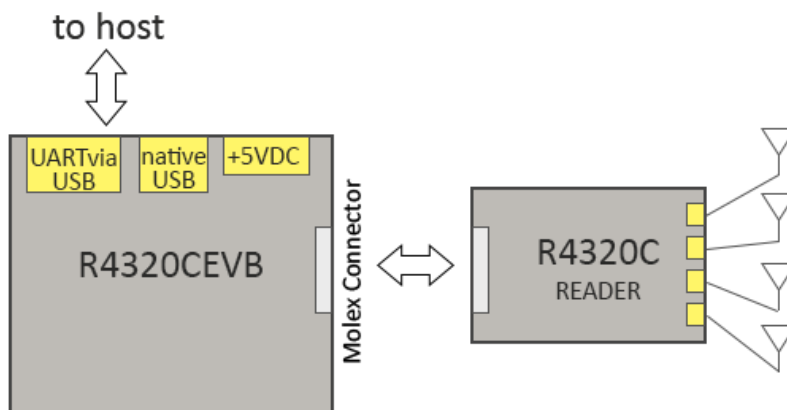


Fig. 3.1: Hadron R4320CEVB Evaluation Board Connection Diagram

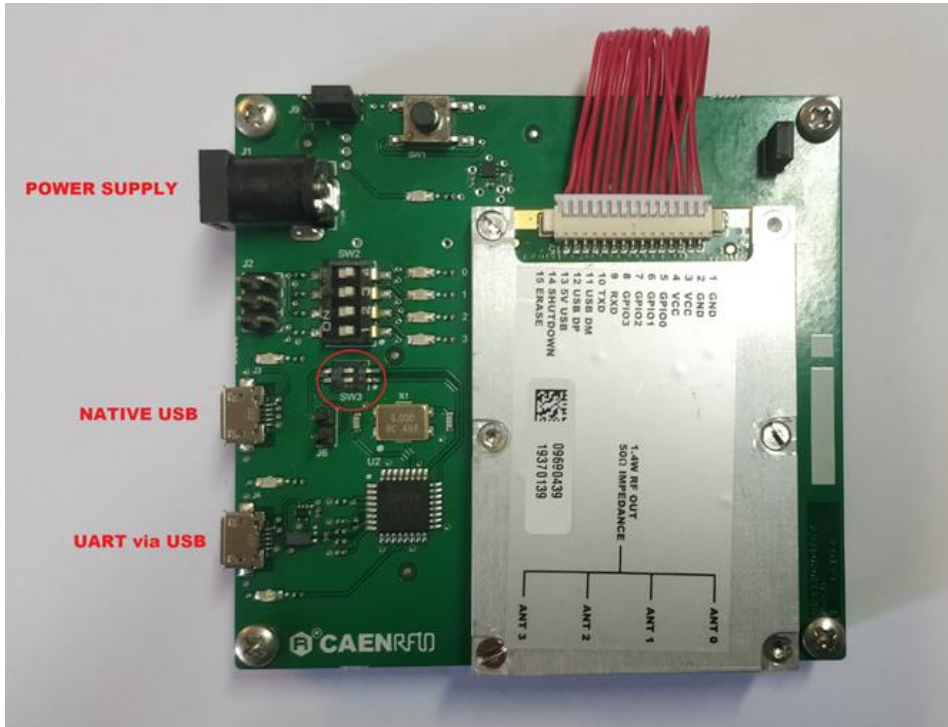


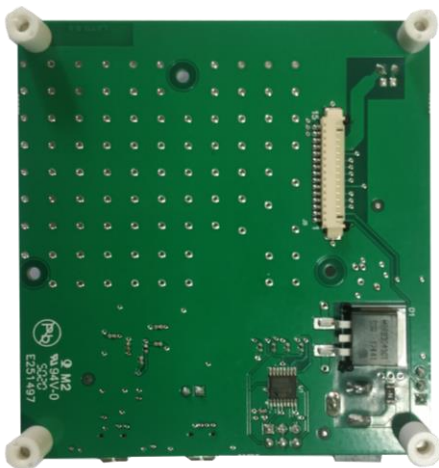
Fig. 3.2: Hadron R4320CEVB Evaluation Board Interface Connectors

Installation Notice

Fix the Hadron R4320C reader to the R4320CEVB board using 3 M2x12 countersunk screws and 3 M2 screws nuts and connect the Molex connectors.

The reader case shall be kept electrically isolated via thermal sildpad from the ground plane.

The correct way to connect the R4320C module to the R4320CEVB evaluation board is shown in the following picture:



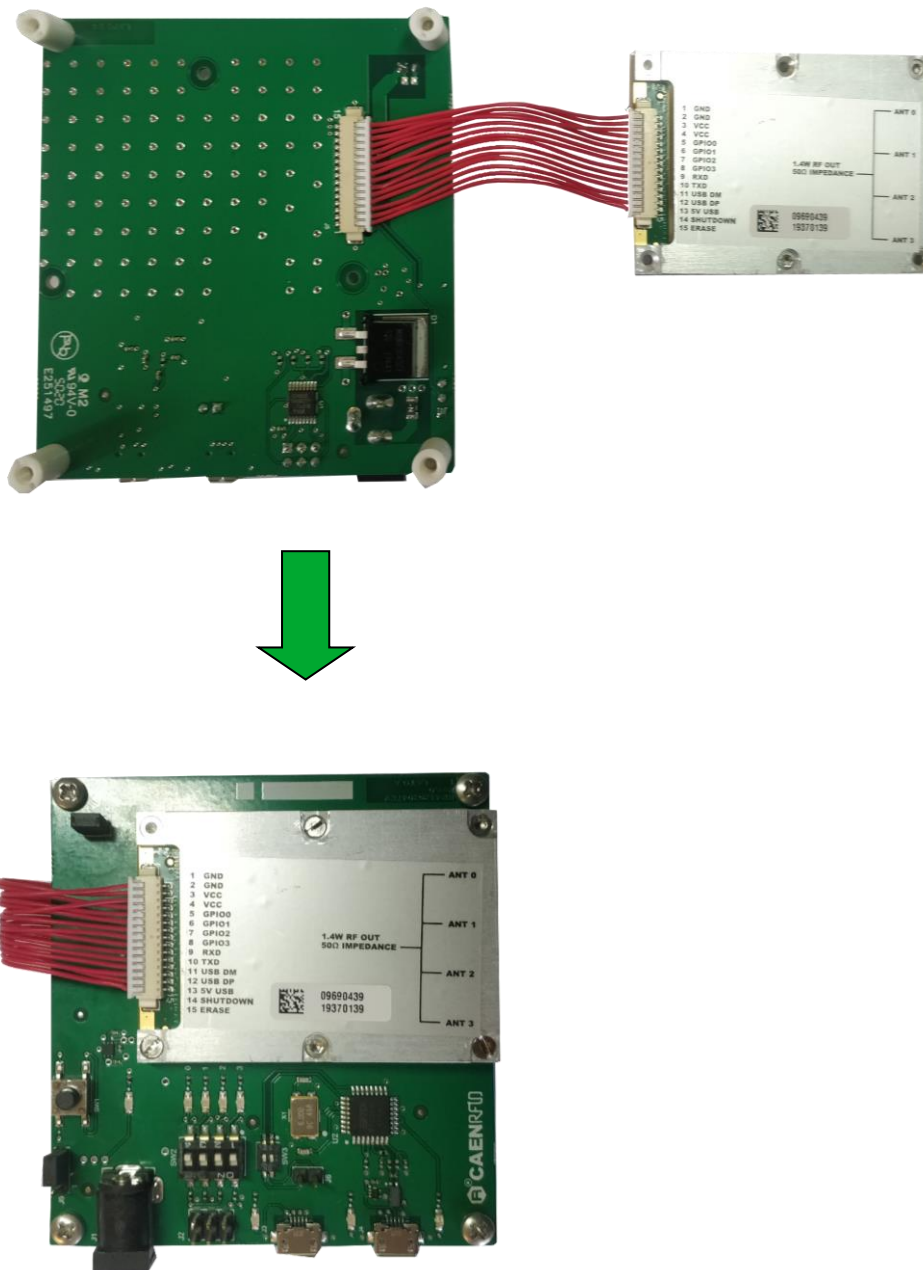


Fig. 3.3: Connection of the R4320C module to the R4320CEVB evaluation board

Connecting to the Hadron R4320C reader

USB Communication Setup



Warning: If your PC is running a Windows version older than Windows 10, in order to correctly operate with the reader, you need to install the *Gadget Serial USB driver*. You can find it easily via a WEB research.

Native USB Interface

In order to use Hadron module's native USB interface the procedure is the following:

- 1) Configure SW3 as shown in *Fig. 3.2: Hadron R4320CEVB Evaluation Board Interface Connectors* page 20 (default position)
- 2) Jumpers shall be in the position shown in *Fig. 3.2: Hadron R4320CEVB Evaluation Board Interface Connectors* page 20 (default position)
- 3) Connect an USB cable to the PC and to J3 connector of the board
- 4) Connect the power supply to the board
- 5) Verify in Windows control panel the COM port that will appear associated to the device and select it for the connection to the reader via CAEN RFID Easy Controller SW

UART via USB Interface

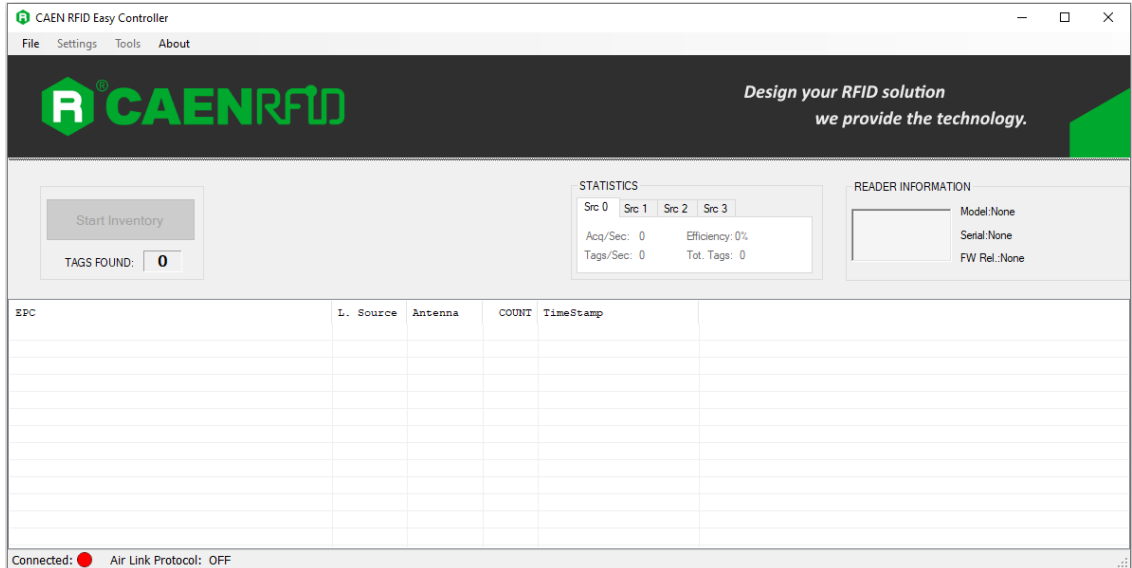
In order to use the UART via USB interface the procedure is the following:

- 1) Configure SW3 in the opposite position shown in *Fig. 3.2: Hadron R4320CEVB Evaluation Board Interface Connectors* page 20 (default position)
- 2) Jumpers shall be in the position shown in *Fig. 3.2: Hadron R4320CEVB Evaluation Board Interface Connectors* page 20 (default position)
- 3) Connect an USB cable to the PC and to J4 connector of the board
- 4) Connect the power supply to the board
- 5) Verify in Windows control panel the COM port that will appear associated to the device and select it for the connection to the reader via CAEN RFID Easy Controller SW

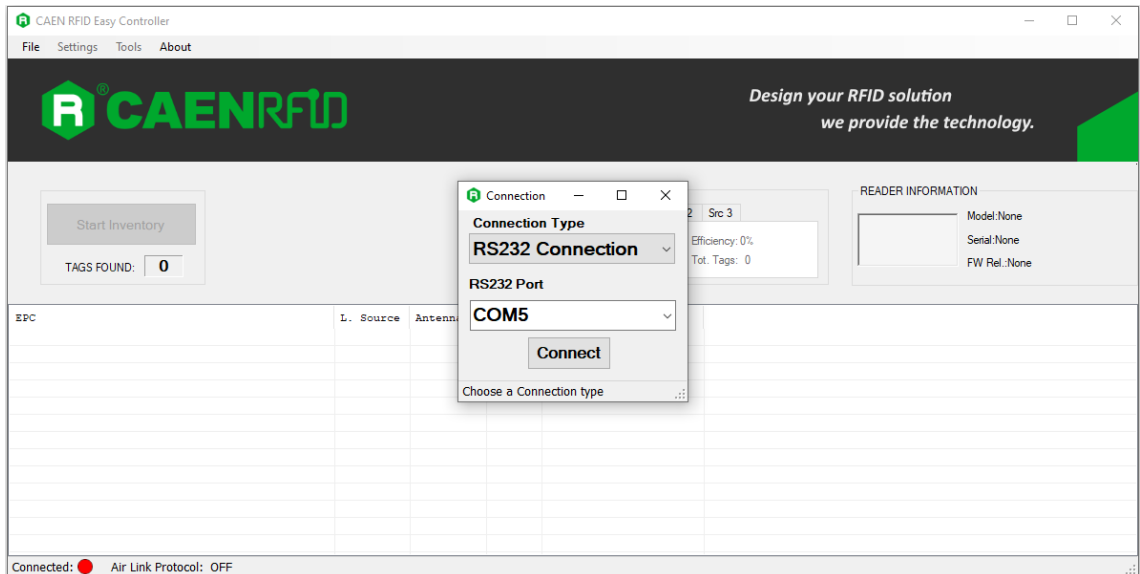
Easy Controller

Follow these steps to connect the Hadron using the *Easy Controller* application for Windows:

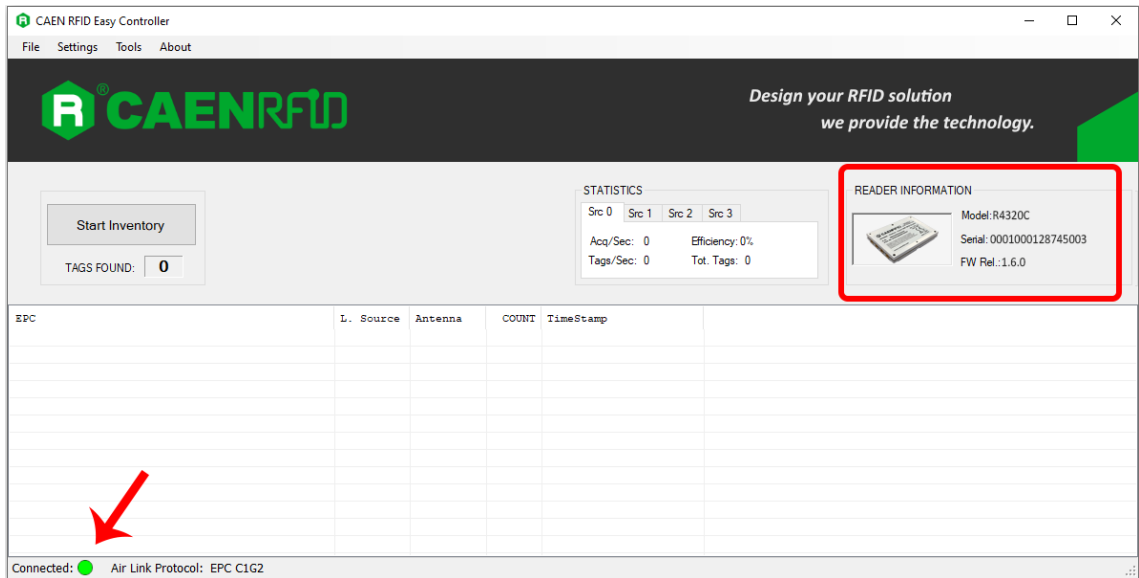
1. Download the latest version of the *Easy Controller software* from the [Hadron R4320C web page](#), *Downloads* section and install it.
2. Launch the *Easy Controller* application:



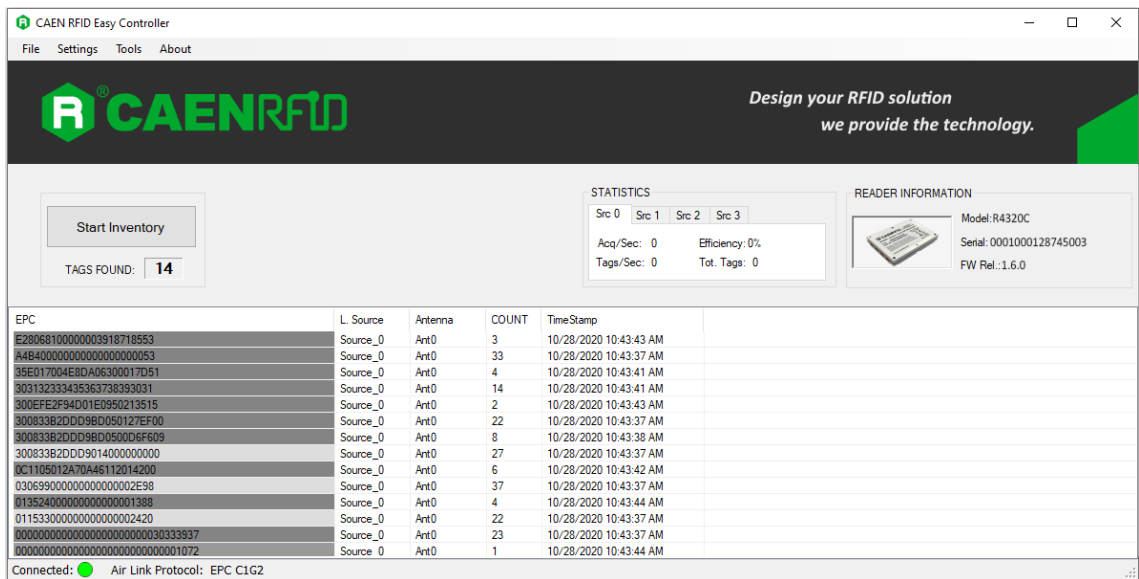
3. On the main screen click on *File* → *Connect*. A Connection window will open. Select the *Connection Type* (RS232) and specify the RS232 port (COM 5 in this example):



- To verify if the connection with the reader has been established, check the green dot on the bottom left side of the sidebar and on the *READER INFORMATION* box you can find information on reader model, serial number and firmware release:



- Place one or more tags near the antenna connected to the reader, click on *Start Inventory* and see tags information displayed on the main window:



For more information on the CAEN RFID *Easy Controller for Windows* application usage, please refer to the relevant user manual: you can download it from the [Hadron R4320C web page](#), *Downloads* section or in the [Manual and Documents](#) web area.

Technical Drawings

The following drawing shows the R4320CEVB components position.

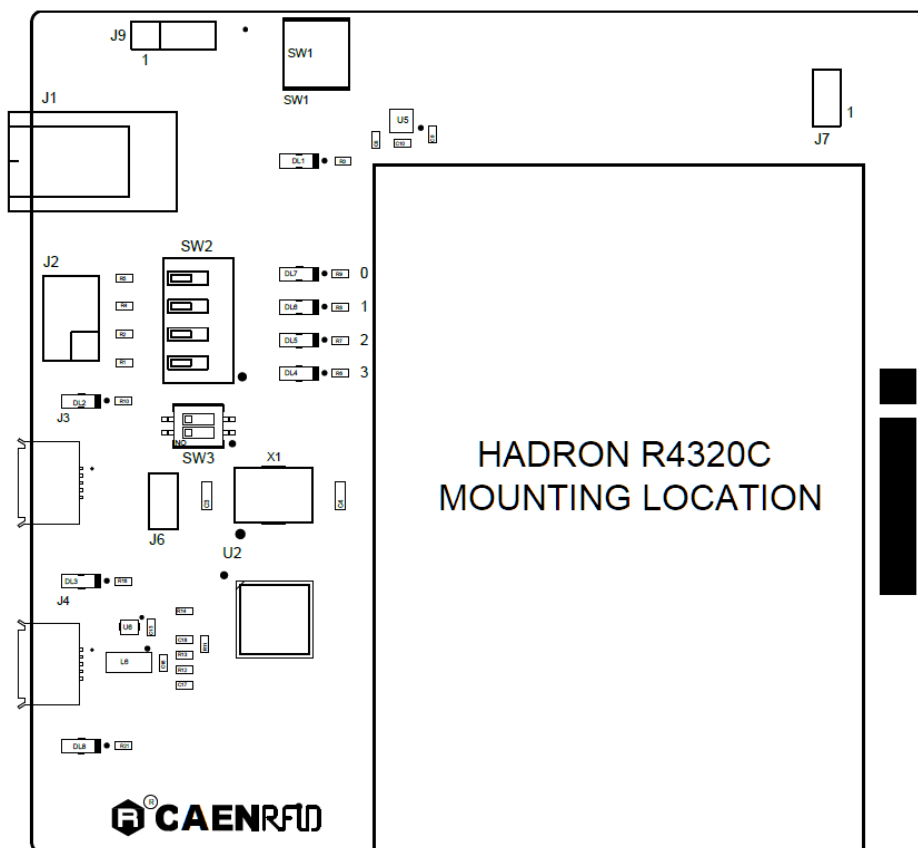


Fig. 3.4: Hadron R4320CEVB Technical Drawing

Electrical Schematic

The electrical schematic of the Hadron R4320CEVB is shown in the following figure:

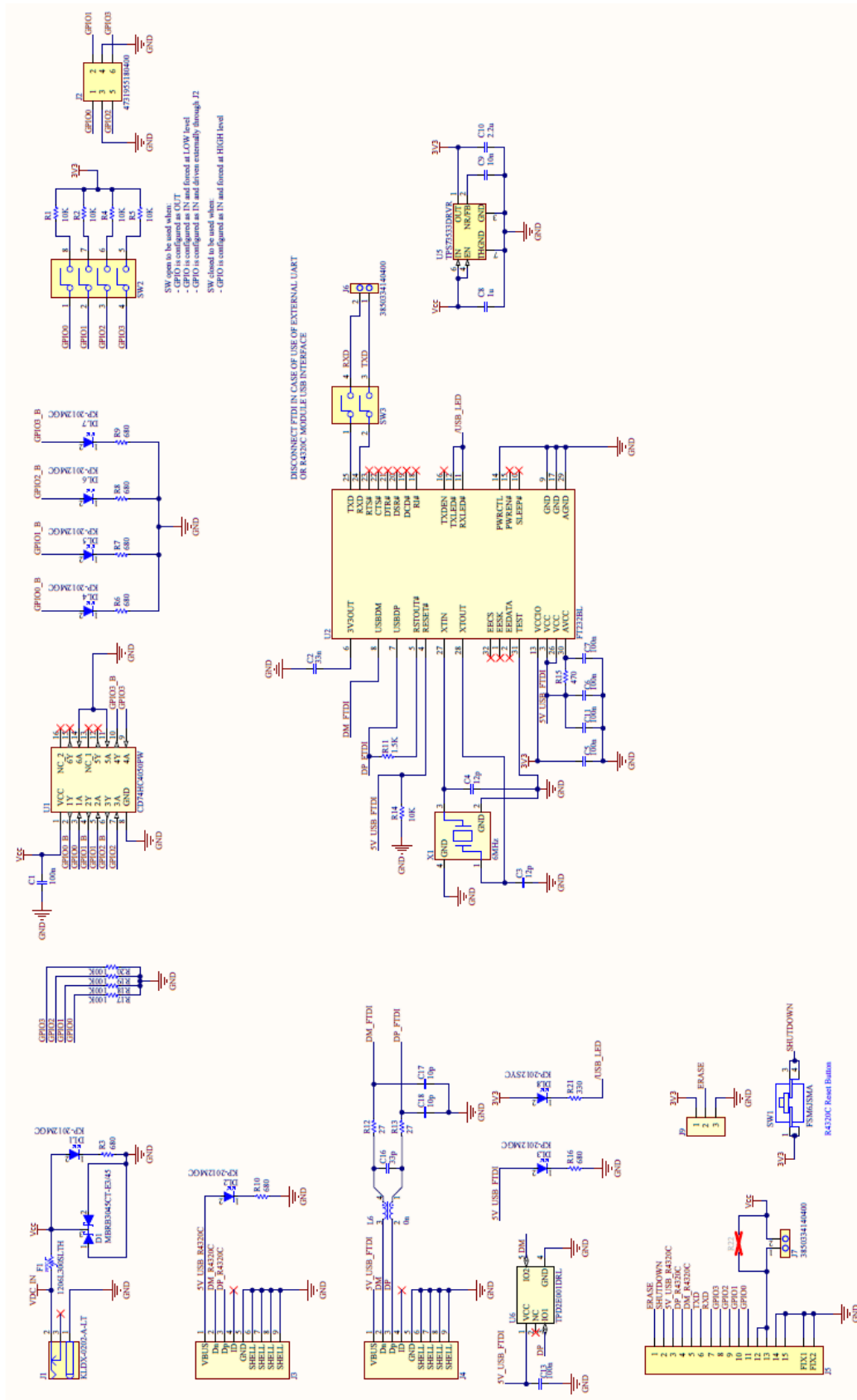


Fig. 3.5: Hadron R4320CEVB Electrical Schematic

External Connections

Please refer to *Fig. 3.4: Hadron R4320CEVB Technical Drawing* page 25.

J1: Power Supply connector: central pin (2.1mm diam.) is the negative terminal. The use of the Power Supply for Hadron R4320CEVB (WALIM0000005) is recommended (see § *Ordering Options* page 9).

J2: header for GPIO external connection

- J2-1 = GPIO0 (in/out)
- J2-2 = GPIO1 (in/out)
- J2-3 = GND
- J2-4 = GND
- J2-5 = GPIO2 (in/out)
- J2-6 = GPIO3 (in/out)

J3: Micro USB female connector for native USB interface

J4: Micro USB female connector for UART via USB interface

J6: Header that can be used to connect UART signals to an external device (see § *Electrical Schematic* page 26 for details)

J7: Jumper that can be removed and replaced with a multimeter for module's current consumption measurements purposes

Jumpers and Switches

Please refer to *Fig. 3.4: Hadron R4320CEVB Technical Drawing* page 25.

SW1: Press it in order to reset Hadron R4320C module

SW2: Can be used to drive module's GPIOs according to the following configurations:

SW open to be used when

- GPIO is configured as OUT
- GPIO is configured as IN and forced at LOW level
- GPIO is configured as IN and driven externally through J2

SW closed to be used when

- GPIO is configured as IN and forced at HIGH level

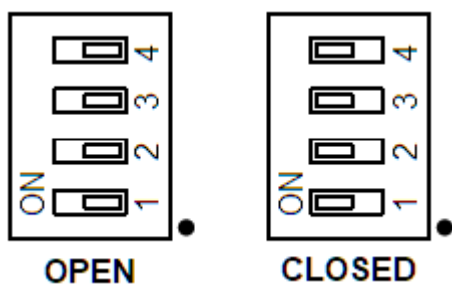


Fig. 3.6: SW2 configuration

SW3: Shall be used to correctly select communication interface of Hadron R4320C module with the host:

SW open to be used when

- Native USB interface is used (connection to PC via J3 connector)
- UART interface is used directly connected to external device (i.e. microcontroller inside customer's board)

SW closed to be used when

- UART via USB interface is used (connection to PC via J4 connector)

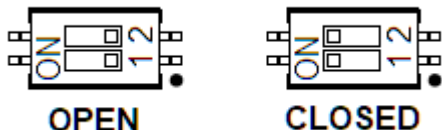


Fig. 3.7: SW3 configuration

J9: Jumper for FW Recovery/Upgrade Procedure

LEDs

Please refer to *Fig. 3.4: Hadron R4320CEVB Technical Drawing* page 25.

DL1 (green) = Power Supply

DL2 (green) = Native USB connection

DL3 (green) = UART via USB connection

DL4 (green) = GPIO0

DL5 (green) = GPIO1

DL6 (green) = GPIO2

DL7 (green) = GPIO3

DL8 (yellow) = UART via USB communication activity

Firmware Upgrade

Please refer to § *Firmware Upgrade* page 16.

4 REGULATORY COMPLIANCE

CE Compliance

Reference standard:

ETSI EN 301 489-1 V2.2.3:2019

EN 55032:2015

ETSI EN 301 489-3 V2.1.1:2017

ETSI EN 302 208 V3.1.1:2017

CEI EN 62368-1:2014 +/-AC:2015 +/-A11:2009 +/-A1:2010 +/-A2:2013 +/-A12:2011

CEI EN 50364:2011

See § **Hadron R4320C CE Declaration of Conformity** page 31 for the Hadron R4320C CE Compliance Certificate.



Warning: The CE compliance is guaranteed only if the reader is used as described in this manual

FCC Compliance

This equipment has been tested and found to comply with the limits for a Class B digital device, pursuant to Part 15 of the FCC Rules. These limits are designed to provide reasonable protection against harmful interference in a residential installation.

This equipment generates uses and can radiate radio frequency energy and, if not installed and used in accordance with the instructions, may cause harmful interference to radio communications. However, there is no guarantee that interference will not occur in a particular installation. If this equipment does cause harmful interference to radio or television reception, which can be determined by turning the equipment off and on, the user is encouraged to try to correct the interference by one of the following measures:

- a. Reorient or relocate the receiving antenna.
- b. Increase the separation between the equipment and receiver.
- c. Connect the equipment into an outlet on a circuit different from that to which the receiver is connected.
- d. Consult the dealer or an experienced radio/TV technician for help.

This transmitter module has been tested and found to comply with Part 15 of the FCC Rules.

NOTE:

- a. Any changes or modifications not approved by CAEN RFID could void the user's authority to operate the equipment.
- b. Hadron R4320C module is approved for operation with the following antennas:
 - CAEN RFID antenna Mod. WANTENNAX020 Circular polarized antenna FCC with 5.5dBi gain
 - CAEN RFID antenna Mod. WANT021XMMCX QUAD Circular Polarized Quadrifilar Antenna FCC with 0.7dBi gain

- c. Use of other than the approved antennas with this unit may result in harmful interference with other users and cause the unit to fail to meet regulatory requirements.
- d. The device requires professional installation since one of the approved antennas (CAEN RFID mod. WANTENNAX020) has a standard type N connector.
- e. The device shall be used such that a minimum separation distance of 25cm is maintained between each antenna and user's/nearby people's body.
- f. This transmitter module is authorized to be used in other devices only by OEM integrators under the following conditions:
 - 1. The RFID Module antenna shall have a separation distance of at least 25 cm from all persons
 - 2. The transmitter module must not be co-located with any other antenna or transmitter
- g. The host integrator installing this module into their product must ensure that the final composite product complies with the FCC requirements by a technical assessment or evaluation to the FCC rules, including the transmitter operation and should refer to guidance in KDB 996369.
- h. The module is authorized for FCC part 15.247 only, the host product manufacturer is responsible for compliance to any other FCC rules that apply to the host not covered by the modular transmitter grant of certification.
- i. The module has been tested and found to comply with the limits for a Class B digital device, however the final host product still requires Part 15 Subpart B compliance testing with the modular transmitter installed.
- j. If the FCC ID is not visible when the module is installed inside another device, the OEM integrator shall apply a label in a visible area on his product with the following statement:

Contains Transmitter Module FCC ID: UVECAENRFID027

or

Contains FCC ID: UVECAENRFID027

See § *Hadron R4320C FCC Grant part B* page 32 and *Hadron R4320C FCC Grant part C* page 33 for the Hadron R4320C FCC Compliance Certificate.

RoHS EU Directive

The Hadron R4320C RAIN RFID reader is compliant with the EU Directive 2015/863/EU on the Restriction of the Use of certain Hazardous Substances in Electrical and Electronic Equipment (RoHS3).

HADRON R4320C

CE DECLARATION OF CONFORMITY

We

CAEN RFID Srl
Via Vetraia, 11
55049 Viareggio (LU)
Italy
Tel.: +39.0584.388.398 Fax: +39.0584.388.959
Mail: info@caenrfid.com
Web site: www.caenrfid.com

herewith declare under our own responsibility that the product:

Code: WR4320CXAAAA
Description: R4320C - Hadron - High Performance 4-port Embedded UHF RFID Reader

corresponds in the submitted version to the following standards:

ETSI EN 301 489-1 V2.2.3:2019
EN 55032:2015
ETSI EN 301 489-3 V2.1.1:2017
ETSI EN 302 208 V3.1.1:2017
CEI EN 62368-1:2014 +/AC:2015 +/A11:2009 +/A1:2010 +/A2:2013 +/A12:2011
CEI EN 50364:2011

and declare under our sole responsibility that the specified product meets the principle requirements and other applicable regulations of directives 2014/53/EU (RED) and 2015/863/EU (RoHS3)

Date: 21/05/2021

A handwritten signature in blue ink over a printed stamp.

CAEN RFID Srl
Via Vetraia, 11
55049 VIAREGGIO ITALY
VAT IT 02032050466

Adriano Bigongiari (Chief Executive Officer)

On the basis of this declaration, this product will bear the following mark:



The compliance is guaranteed only if the reader is used as described in the R4320C Hadron Technical Information Manual.

HADRON R4320C FCC GRANT PART B

TCB

GRANT OF EQUIPMENT
AUTHORIZATION

TCB

Certification

Issued Under the Authority of the
Federal Communications Commission

By:

EMCCert Dr. Rasek GmbH
Stoernhofer Berg 15
91364 Unterleinleiter,
Germany

Date of Grant: 07/05/2019
Application Dated: 07/05/2019

CAEN RFID srl
via Vetraia, 11 - 55049 Viareggio (LU) - ITALY
Viareggio, 55049
Italy

Attention: Adriano Bigongiari , CEO

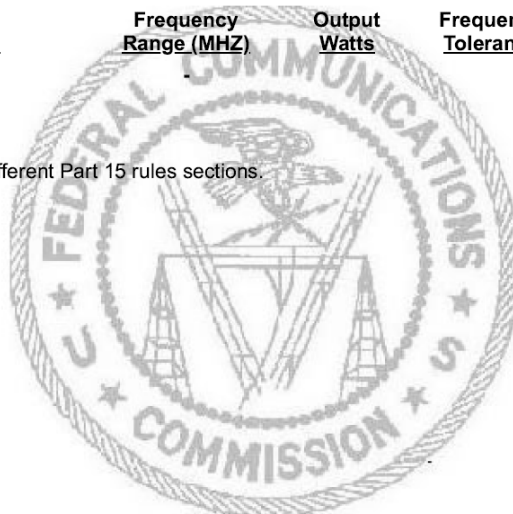
NOT TRANSFERABLE

EQUIPMENT AUTHORIZATION is hereby issued to the named GRANTEE, and is VALID ONLY for the equipment identified hereon for use under the Commission's Rules and Regulations listed below.

FCC IDENTIFIER: UVECAENRFID027
Name of Grantee: CAEN RFID srl
Equipment Class: Part 15 Class B Computing Device Peripheral
Notes: R4320C - Hadron - 4-port Embedded UHF RFID Reader

<u>Grant Notes</u>	<u>FCC Rule Parts</u>	<u>Frequency Range (MHZ)</u>	<u>Output Watts</u>	<u>Frequency Tolerance</u>	<u>Emission Designator</u>
CC	15B				

CC: This device is certified pursuant to two different Part 15 rules sections.



HADRON R4320C FCC GRANT PART C

TCB

**GRANT OF EQUIPMENT
AUTHORIZATION**

TCB

Certification

**Issued Under the Authority of the
Federal Communications Commission**

By:

**EMCCert Dr. Rasek GmbH
Stoernhofer Berg 15
91364 Unterleinleiter,
Germany**

Date of Grant: 07/05/2019

Application Dated: 07/05/2019

**CAEN RFID srl
via Vetraia, 11 - 55049 Viareggio (LU) - ITALY
Viareggio, 55049
Italy**

Attention: Adriano Bigongiarì , CEO

NOT TRANSFERABLE

EQUIPMENT AUTHORIZATION is hereby issued to the named GRANTEE, and is VALID ONLY for the equipment identified hereon for use under the Commission's Rules and Regulations listed below.

FCC IDENTIFIER: UVECAENRFID027
Name of Grantee: CAEN RFID srl
Equipment Class: Part 15 Spread Spectrum Transmitter
Notes: R4320C - Hadron - 4-port Embedded UHF RFID Reader
Modular Type: Single Modular

<u>Grant Notes</u>	<u>FCC Rule Parts</u>	<u>Frequency Range (MHZ)</u>	<u>Output Watts</u>	<u>Frequency Tolerance</u>	<u>Emission Designator</u>
CC	15C	902.75 - 927.25	0.98		

Singular Modular Approval. Output power shown above is peak conducted. Co-location of this module with other transmitters that operate simultaneously are required to be evaluated using the FCC multi-transmitter procedures. The module antenna(s) must be installed to meet the RF exposure compliance separation distance of at least 25 cm and any additional testing and authorization process as required. The host integrator installing this module into their product must ensure that the final composite product complies with the FCC requirements by a technical assessment or evaluation to the FCC rules, including the transmitter operation and should refer to guidance in KDB 996369. This device is required to be professionally installed by a properly trained technician.

CC: This device is certified pursuant to two different Part 15 rules sections.